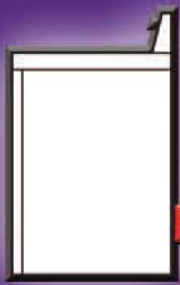


For Residential Capacity Clothes Dryers



Dryer Duct Booster®

Featuring the *Lint Blitzer™* Blower Wheel for Maximum Performance, Zero Maintenance



Model DE160

The Problem:

Exhaust duct lengths beyond 25 equivalent feet* reduce air velocity, often causing:

- ▶ Increased drying time
- ▶ Increased energy use
- ▶ Increased lint build-up in ductwork

The Solution:

The Dryer Duct Booster® maintains proper exhaust velocity in duct runs up to 100 equivalent feet optimizing dryer performance.

The Dryer Duct Booster® surpasses all existing dryer duct fans with features including:

- ▶ The Lint Blitzer™ blower wheel. Unlike in-line tubeaxial fans which can clog with lint, the Lint Blitzer wheel is specially designed to repel lint while providing optimum air velocity.
- ▶ Saves energy by operating only when dryer is in use.
- ▶ 5 year no clog, no maintenance guarantee.
- ▶ Permanently lubricated motor positioned out of the air stream for maximum motor life.
- ▶ Simple installation in both vertical and horizontal ducts.

*Equivalent feet equals linear feet plus 5 additional feet for each 90° elbow and 2.5 feet for each 45° elbow.



For Residential Capacity Clothes Dryers

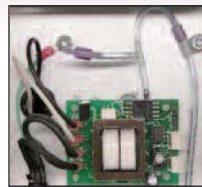
Dryer Duct Booster®

Unlike in-line tubeaxial fans, which can clog with lint and require periodic cleanings, the Dryer Duct Booster's externally located motor and Lint Blitzer blower wheel mean maximum performance with zero maintenance, backed by a 5 year guarantee.

If the Dryer Duct Booster becomes inoperable due to a lint clogged blower wheel Tjernlund Products will issue a free replacement booster fan.

Automatic actuation control features

self-cleaning dryer duct pressure sensing tube.



PSC, permanently lubricated ball bearing motor is not exposed to heat, lint or moisture. Uses less power than a 50 watt light bulb.

Rubber isolated mounting bracket eliminates vibration transfer. Rotates 360° to accommodate any mounting orientation.



4" long dryer duct connections for easy duct attachment.

See why the Lint Blitzer™ blower wheel has a 5 year no clog guarantee

Go to www.dryerboosters.com to see for yourself how our Dryer Duct Booster outperforms typical in-line fans in a lint build-up test.



Dryer Duct Booster® fans can be installed in any mounting orientation

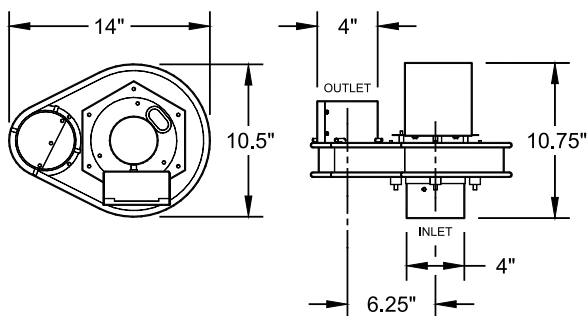


Horizontally Mounted



Vertically Mounted

Dimensions



Specifications

Model	Voltage	Watts	Amps	CFM
DE160	120 VAC	50	0.5	160



Sample Specification: Device shall be Tjernlund Model DE160. Device shall include a 5 year no-clog guarantee. Device shall feature a metal, reverse-inclined particulate handling impeller that will not clog with lint. Device shall feature a self-cleaning pressure sensing tube. Device shall feature a motor outside the dryer exhaust air stream. Device shall feature a rubber isolated mounting bracket. Device shall be Listed for USA and Canada.

Available From:



TJERNLUND PRODUCTS, INC.

1601 Ninth Street White Bear Lake, MN 55110-6794
 Phone: 651.426.2993 800.255.4208 Fax: 651.426.9547
 Visit our web site: www.tjernlund.com

Copyright © 2008 Tjernlund Products, Inc. P/N 8500301