



# Submittal Data Sheet EC1800UB Up Blast Fan

Job Name: \_\_\_\_\_

Equipment Rep: \_\_\_\_\_

Contractor: \_\_\_\_\_

Prepared By: \_\_\_\_\_

Arch./Engr.: \_\_\_\_\_

Date: \_\_\_\_\_

**Description:**

Tjernlund Upblast ventilators are designed for continuous operation to exhaust Lint-laden air, foul air, smoke, fumes, odors and grease-laden vapors from range hoods and commercial cooking appliances. Ventilators are designed for installation in industrial, institutional and commercial kitchen applications. ECUB Series feature energy saving EC motors, which are ideal for applications requiring demand control ventilation, for example, apartment buildings, multi-story dryer venting, multi-purpose rooms with differing rates of ventilation, hi-rise buildings - single fan on riser exhausting multiple spaces or restaurant applications with grease laden air.

Factory preassembled with rpm speed control card with automation capability.

Use with the MPC-Series Modulating Pressure Controller for an Automatic-Variable Speed system which will modulate to always deliver the correct amount of exhaust or supply air.

**Housing Construction:**

5052 Aluminium

**Impeller:**

Aluminum wheel statically and dynamically balanced

**Motor:**

ECM 115/230/1/60 VAC, 443 Watts

**Max Temperature:**

300° F / 149° C

**Weight:**

92 Lbs

**Listings:**

UL 705, UL 762



**Sound:**

Sound Power Level	63	125	250	500	1k	2k	4k	8k	Tot
Inlet dB(A)	49	60	73	77	72	76	70	61	81

**Warranty:**

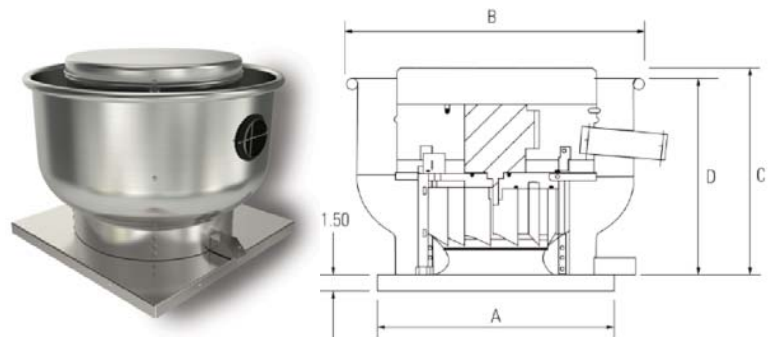
1 year mechanical

**Standard Equipment:**

RPM speed control card

**Optional Controls & Equipment:**

- EAT Series Exhaust Air Terminal Boxes
- ESDR Series Sub Duct Risers
- GC Series Grease Collector Boxes



Model	A	B	C	D
EC1800UB	22	26 5/32	19 5/8	17 3/4

Dimensions in inches

EC1800UB FAN CURVE

